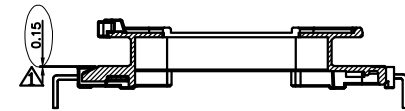
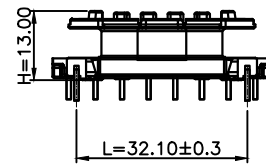
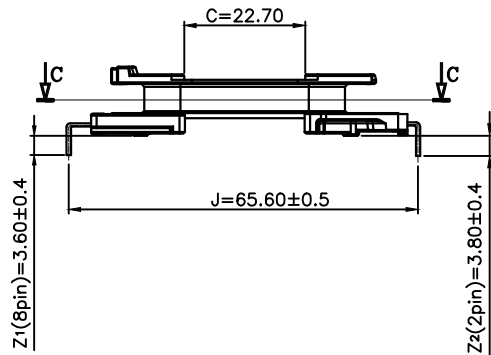
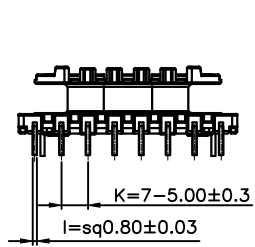
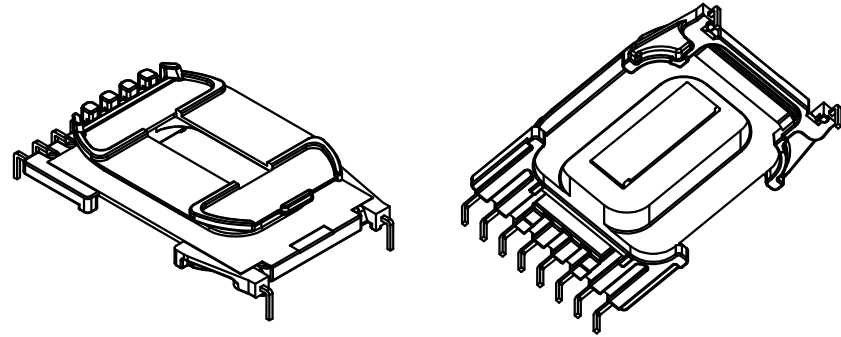
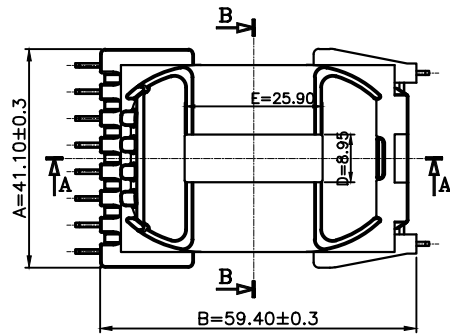
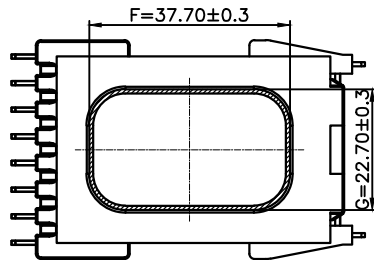


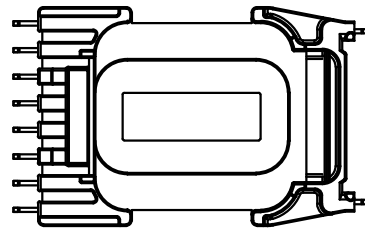
SECTION B-B



SECTION A-A



SECTION C-C



▲							
▲							
▲							
▲	필란무 락 0.15mm 왕요장						
MARK	REVISION NOTE			DATE	DRAWN	CHECKED	APPROVED
DRAWN	CHECKED	APPROVED	MATERIAL : PHENOL	UL REC. : UL94V-0	THIRD ANGLE PROJ.	SCALE : 1/1	
HK, Yang	S H, Kim	C, Park	Z : PIN LENGTH (According to customer's request)	DATE : 2014.07.23	TOLERANCE ±0.2 (Unless otherwise specified)		UNIT : m/m
주식회사 대흥보빈 DAE HEUNG BOBBIN CO., LTD				TITLE EE 42*13 "V" (10P) (C)		DWG NO DH-140423-3077-15	